

Worksheet for GEARS Surface Mobility Platform Parts

Structural Components

Extra Long Aluminum Square

10 1/2" long

9 holes x 0.625"



Long Aluminum Square

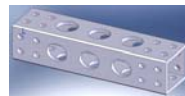
8 3/4" long

7 holes x 0.625"



Medium Aluminum Square

4 3/4 " long 3 x 0.625"

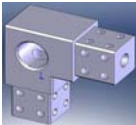


Motor Mount

with hardware



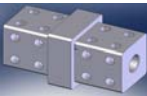
90 Degree Connector



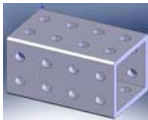
45 Degree Connector



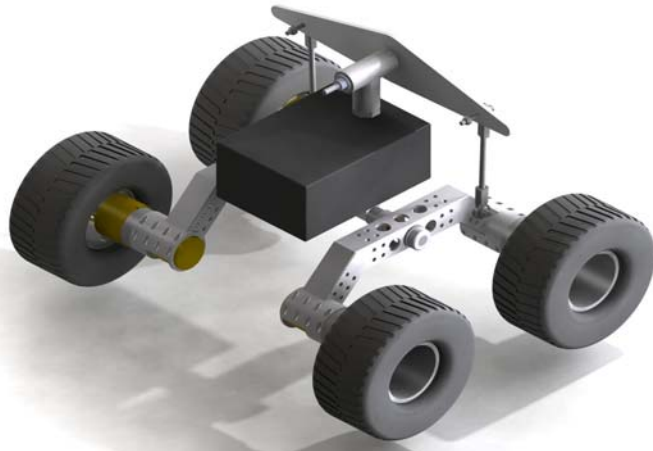
Straight Connector



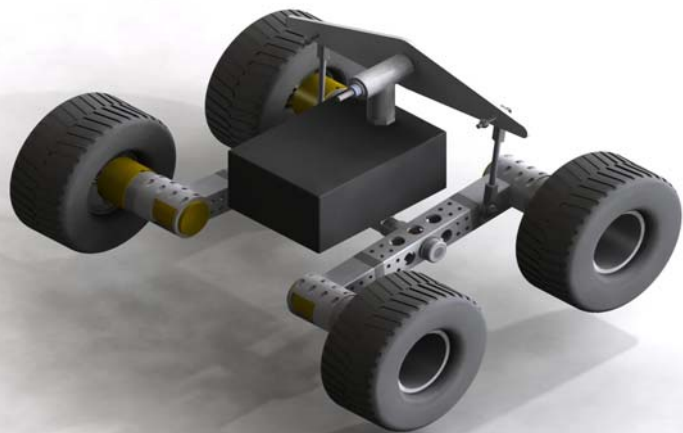
Aluminum Square 2" long
1-1/4" x 1-1.4" sq tube



Standard Configuration



Low Profile



High Clearance

32Sd(34S\kcpiso "Czg"Std. Length 10"

"
"
"
"
"
"
"
"



- Pittman Motor 19:1 ratio high torque
- Pittman Motor 128:1 ratio
- Pittman Motor 218:1 ratio
- Pittman Motor 65:1
- Pittman Motor 19:1 ratio high torque w 2 channel encoder
- Pittman Motor 128:1 ratio w 2 channel encoder
- Pittman Motor 218:1 ratio w 2 channel encoder

